

Motion detector

IR 180 UP easy

Concealed wiring
EAN 4007841 055790
Article number 055790



infrared sensor
180°



max. 8 m



2- or 3-wire

200 W

200 W max. (LED-ready)



manual switch ON/
OFF



IP20



2 - 1000 lux



5 sec - 30 min



energy saving



CE

Function description

The new universal wizard. Lighting automation made easy: the IR 180 UP easy sensor switch is a revolutionary world first. It works in both as 2 and 3-wire installations and can switch all type of lamps ON and OFF. Simply replace existing flush-mounted switches – done! With 180° infrared sensor (8 m reach) and button for manual switching.

Technical specifications

Dimensions (L x W x H)	57 x 81 x 81 mm	Switching output 1, low-voltage halogen lamps	200 VA
With motion detector	Yes	LED lamps < 2 W	40 W
Manufacturer's Warranty	3 years	LED lamps > 2 W < 8 W	100 W
Settings via	Potentiometers	LED lamps > 8 W	160 W
With remote control	No	Capacitive load in μF	132 μF
Version	Concealed wiring	Technology, sensors	passive infrared, Light sensor
PU1, EAN	4007841055790	Mounting height	1,10 – 2,20 m
Type	Motion detectors	Mounting height max.	2,20 m
Application, place	Indoors	Optimum mounting height	1,1 m
Application, room	corridor / aisle, function room / ancillary room, kitchenette, stairwell, WC / washroom, Indoors	Detection angle	180 °
Colour	white	Angle of aperture	90 °
Colour, RAL	9010	Sneak-by guard	Yes
Includes corner wall mount	No	Capability of masking out individual segments	No
Installation site	wall	Electronic scalability	No
Installation	Concealed wiring, Wall	Mechanical scalability	No
IP-rating	IP20	Reach, radial	r = 2 m (6 m ²)

Motion detector

IR 180 UP easy

Concealed wiring
EAN 4007841 055790
Article number 055790



Technical specifications

Ambient temperature	0 – 40 °C
Material	Plastic
Mains power supply	220 – 240 V / 50 – 60 Hz
Switching output 1, resistive	200 W
Switching output 1, number of LEDs / fluorescent lamps	4 pcs.
Fluorescent lamps, electronic ballast	150 W
Fluorescent lamps, uncorrected	150 VA
Fluorescent lamps, series-corrected	150 VA
Fluorescent lamps, parallel-corrected	150 VA

Reach, tangential	r = 8 m (101 m ²)
Twilight setting	2 – 1000 lx
Time setting	5 s – 30 Min.
Basic light level function	No
Main light adjustable	No
Twilight setting TEACH	No
Constant-lighting control	No
Interconnection	No

Motion detector

IR 180 UP easy

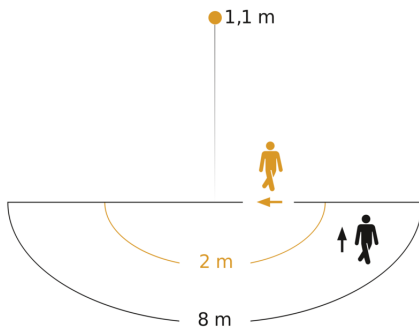
Concealed wiring

EAN 4007841 055790

Article number 055790



Detection Zone

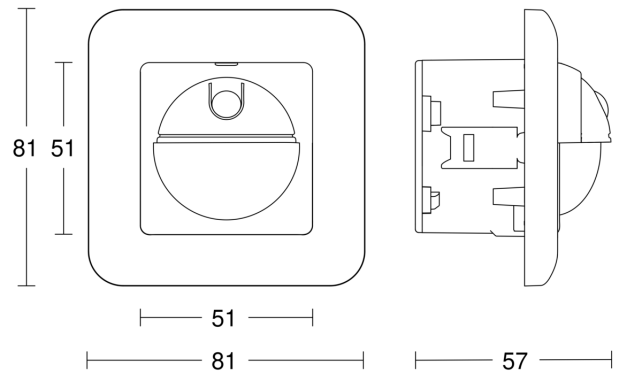


Possible mounting height: 1,10 m - 2,20 m

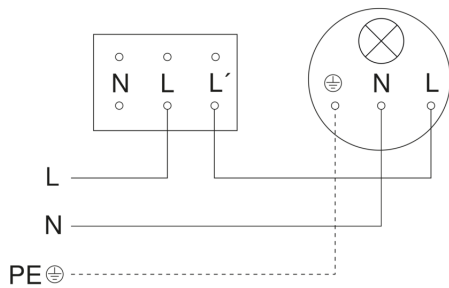
Orange: radial

Black: tangential

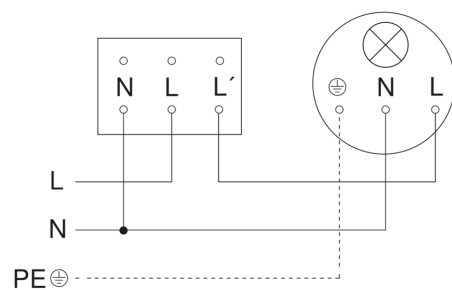
Dimension Drawing



2-wire circuit diagram



3-wire circuit diagram



Motion detector

IR 180 UP easy

Concealed wiring

EAN 4007841 055790

Article number 055790



Circuit diagram for interconnecting several sensors

